

AIRCRAFT APPLICATION SHEET FOR: 91/498

didsbury

WORLD CLASS LIFTING AND HANDLING SOLUTIONS

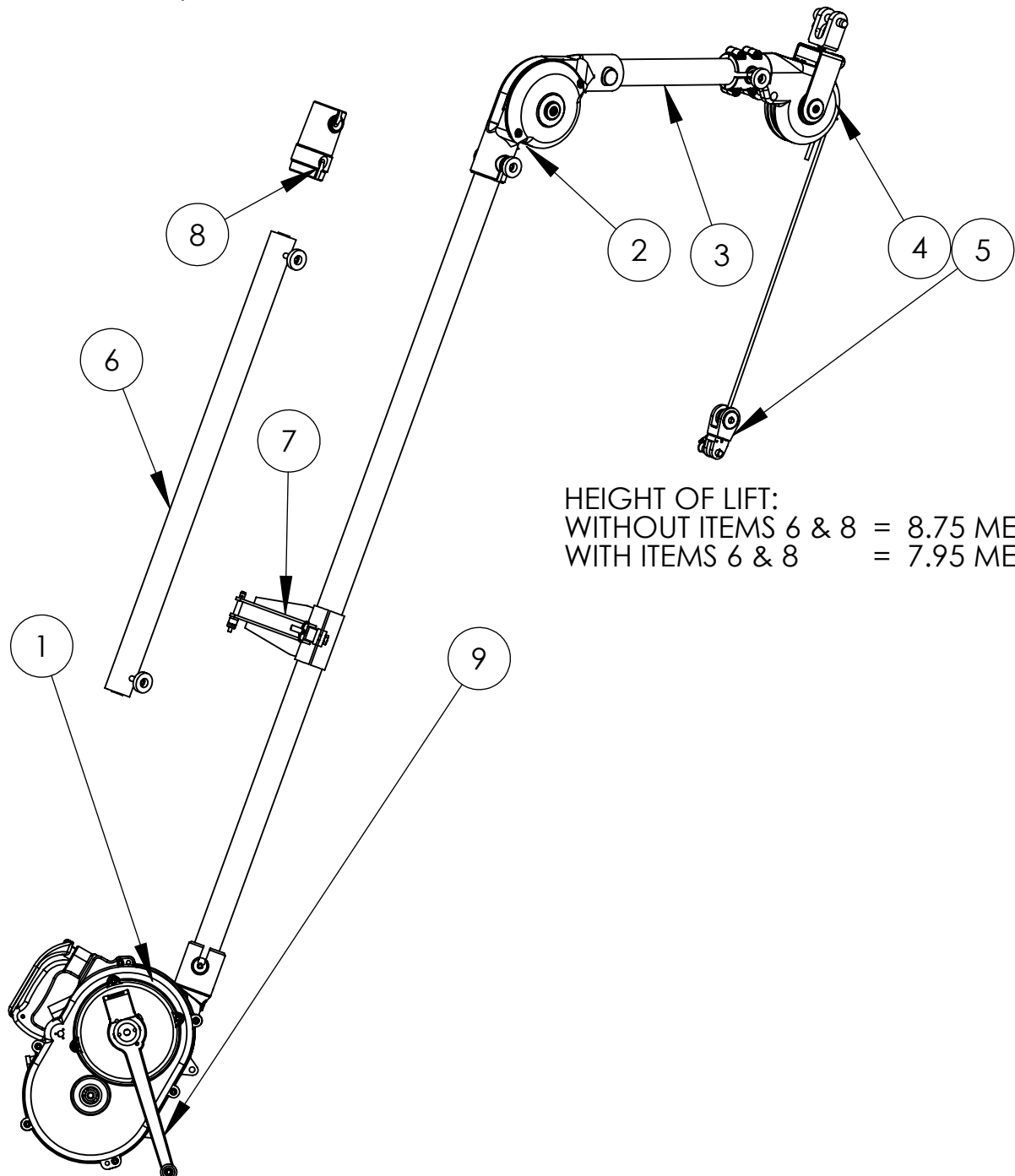
A380 APU HOIST ASSEMBLY

Didsbury Engineering Co Ltd

ITEM NO.	PART NUMBER	DESCRIPTION	QTY.
1	91-566	91/16 WINDING MECHANISM WITH FIXED EXTENSION TUBE	1
2	43/336	ANGLE CHANGER	1
3	43-910	EXTENSION TUBE, 343MM 180 DEG OFFSET	1
4	43-1774	TOP SHEATH (A380 APU)	1
5	43-1787	SHACKLE ASSY	1
6	43-394	EXTENSION TUBE 762 MM	1
7	43-1695	CLAMP SHELL	1
8	43/136	TUBE COUPLING	1
9	91/84	HANDLE ASSEMBLY	1

Telephone: +44 (0)161 224 6224
Facsimile: +44 (0)161 224 2098
Email: sales@didsbury.com
Web: www.didsbury.com

NOTE.
APU Removal requires 2 off 91/498 hoists



SWL: 508 kg
WEIGHT: 36 kg