

AIRCRAFT APPLICATION SHEET FOR: 91/502

A380 APU LIFT BEAM ASSEMBLY

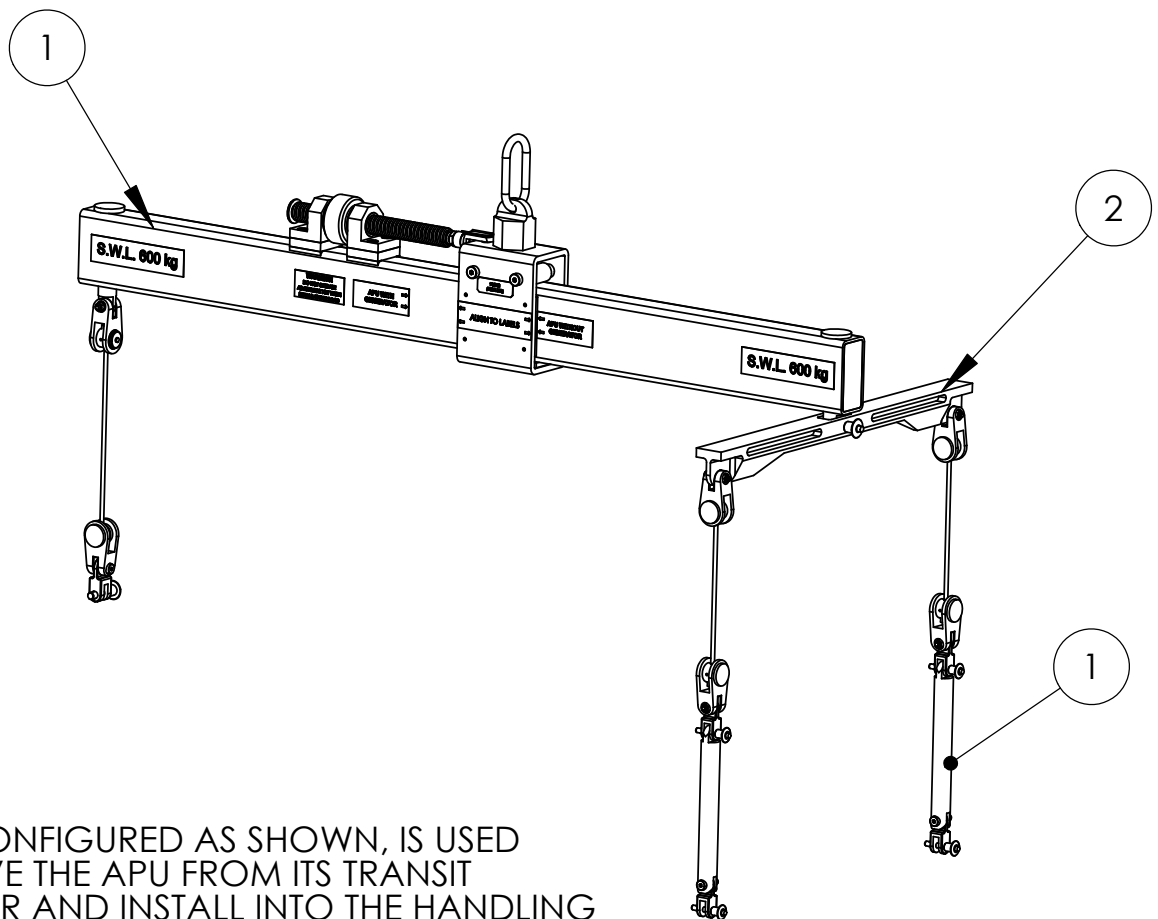
didsbury

WORLD CLASS LIFTING AND HANDLING SOLUTIONS

Didsbury Engineering Co Ltd

Telephone: +44 (0)161 486 2200
Facsimile: +44 (0)161 486 2211
Email: sales@didsbury.com
Web: www.didsbury.com

ITEM NO.	PART NUMBER	DESCRIPTION	QTY.
1	91/565	LIFT BEAM SUB ASSEMBLY	1
2	91/503	HORSESHOE BEAM ASSEMBLY	1



NOTE :-

91/502, CONFIGURED AS SHOWN, IS USED TO REMOVE THE APU FROM ITS TRANSIT CONTAINER AND INSTALL INTO THE HANDLING FRAME.

91/503, THE HORSESHOE BEAM, IS A SUB ASSEMBLY CONTAINED WITHIN 91/502.

ONCE THE APU IS IN THE HANDLING FRAME, 91/503 IS REMOVED FROM THE ASSEMBLY AND USED TO INSTALL THE APU INTO THE AIRFRAME.

THE EXTENSION PIECES, ALSO MARKED 1 ARE ONLY USED AS PART OF 91/502. THEY ARE REMOVED FROM 91/503 ONCE THE APU IS INSTALLED IN THE HANDLING FRAME. THEY ARE CONTAINED WITHIN ASSEMBLY 91/565.

SWL: 600 kg
WEIGHT: 19kg.