

AIRCRAFT APPLICATION SHEET FOR: 44/455



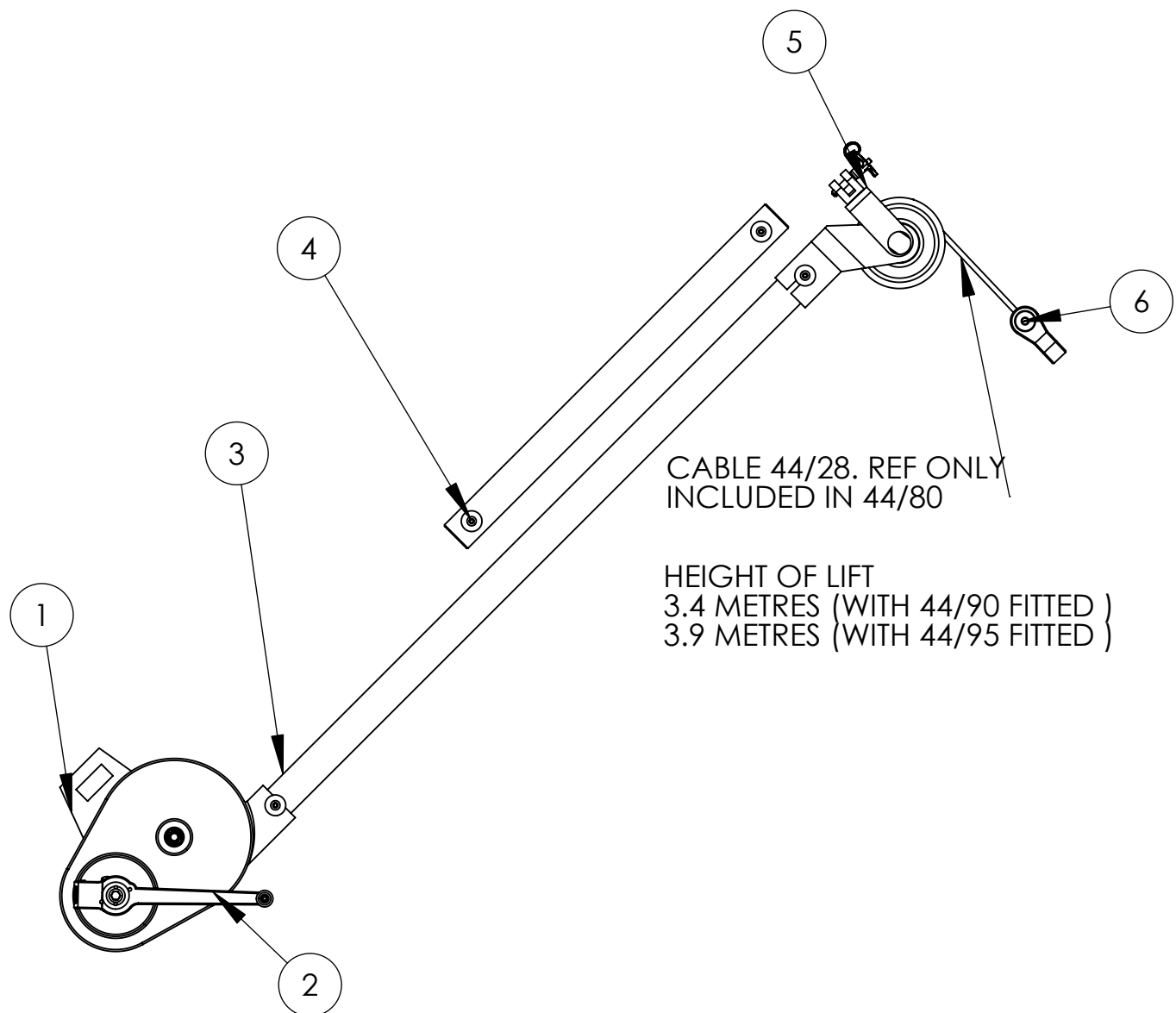
World class lifting and handling solutions

Didsbury Engineering Co Ltd

Telephone: +44 (0)161 486 2200
Facsimile: +44 (0)161 486 2211
Email: sales@didsbury.com
Web: www.didsbury.com

Description A340 500/600 NLG HOIST KIT
WITH AIRBUS TOOL 98F32201008
FOR STANDARDS A AND B

ITEM NO.	PART NUMBER	DESCRIPTION	QTY.
1	44/80	WINDING MECHANISM	1
2	41/163	WINDING HANDLE ASSEMBLY	1
3	44/90	EXTENSION TUBE 1219 MM	1
4	44/95	EXTENSION TUBE 698 MM	1
5	44/454	TOP SHEATH ASSEMBLY	1
6	44/444	SHACKLE	1



SWL: 1270 Kg
WEIGHT: 32 Kg