

# AIRCRAFT APPLICATION SHEET FOR: 44/456



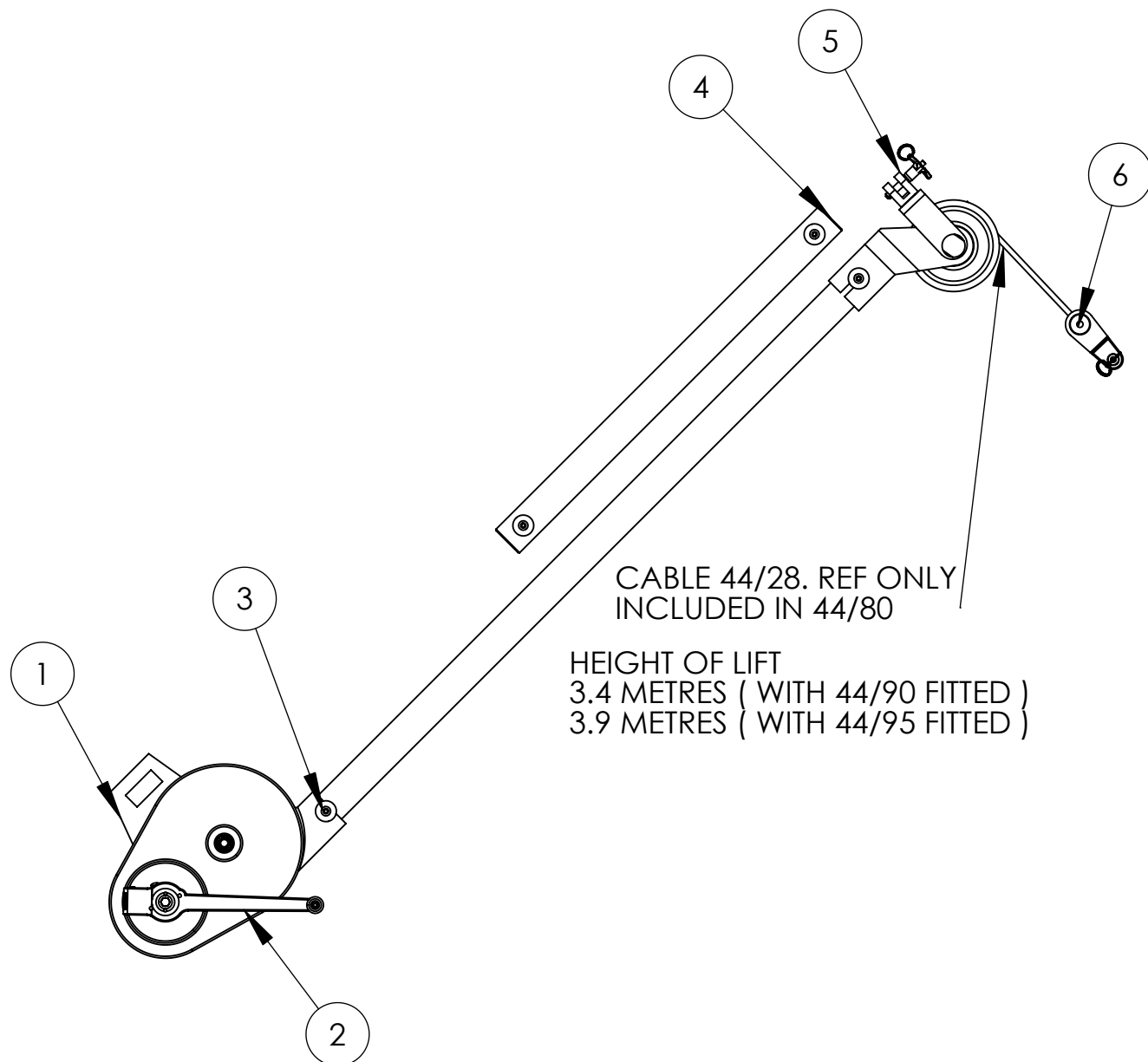
World class lifting and handling solutions

**Didsbury Engineering Co Ltd**

Telephone: +44 (0)161 486 2200  
Facsimile: +44 (0)161 486 2211  
Email: sales@didsbury.com  
Web: www.didsbury.com

Description A340 500/600 NLG HOIST KIT  
WITH AIRBUS TOOL 98F32201015  
FOR STANDARDS A,B,E,F.

ITEM NO.	PART NUMBER	DESCRIPTION	QTY.
1	44/80	WINDING MECHANISM	1
2	41/163	WINDING HANDLE ASSEMBLY	1
3	44/90	EXTENSION TUBE 1219 MM	1
4	44/95	EXTENSION TUBE 698 MM	1
5	44/454	TOP SHEATH ASSEMBLY	1
6	44/450	SHACKLE	1



SWL: 1270 Kg  
WEIGHT: 32 Kg