

# AIRCRAFT APPLICATION SHEET FOR: 92/317



World class lifting and handling solutions

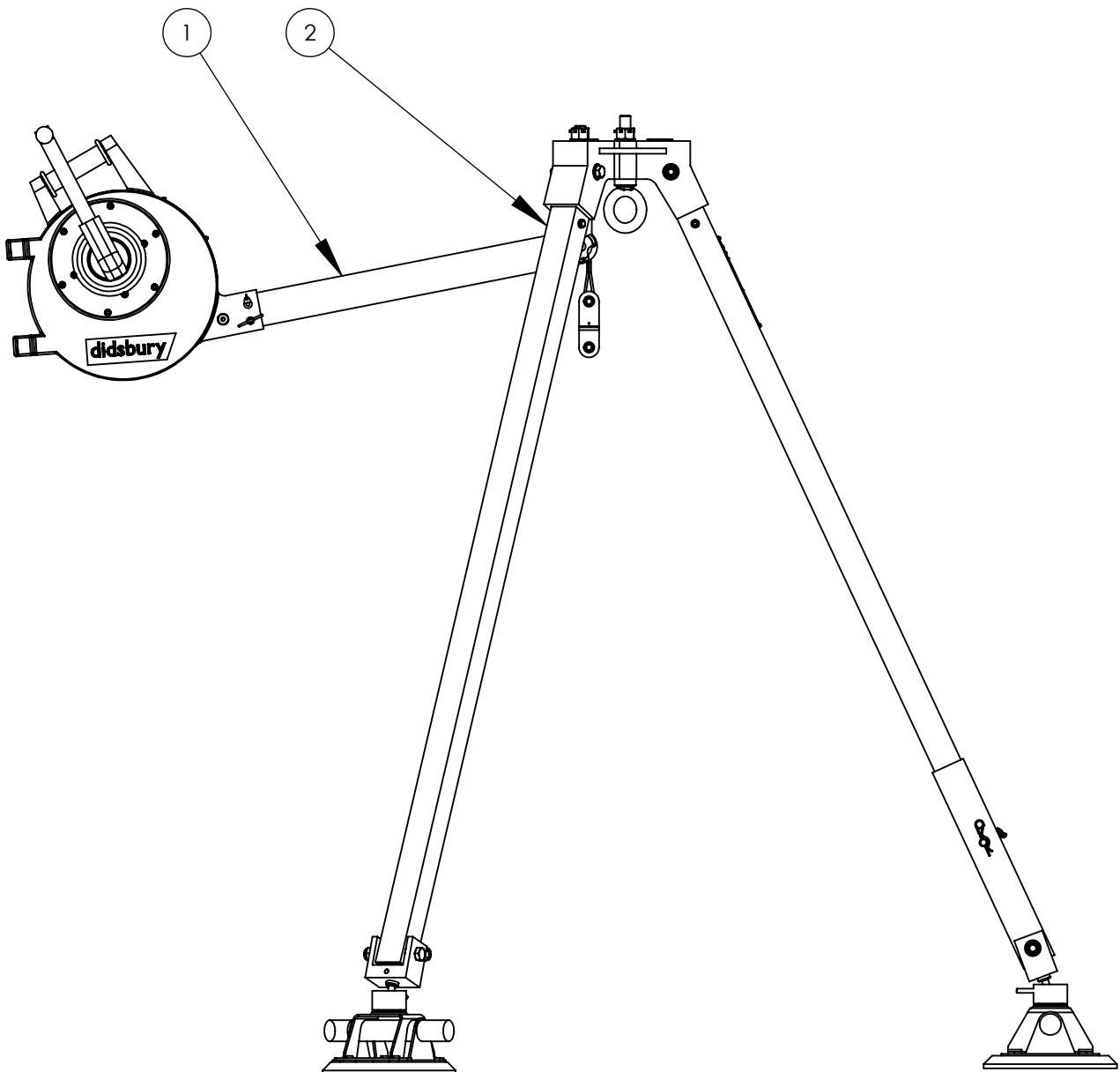
**Didsbury Engineering Co Ltd**

Telephone: +44 (0)161 486 2200  
Facsimile: +44 (0)161 486 2211  
Email: sales@didsbury.com  
Web: www.didsbury.com

Description A400M PCU KIT , HOIST AND TRIPOD

ISSUE 1, 5/5/11

ITEM NO.	PART NUMBER	DESCRIPTION	Default/QTY
1	100/1	LIGHT WEIGHT TAPE HOIST 100KG S.W.L.	1
2	61/1003	A400M PCU KIT TRIPOD	1



SWL: 100 Kg  
WEIGHT: 30 Kg ( ENTIRE KIT)