

AIRCRAFT APPLICATION SHEET

A3/91/267 HOIST KIT

A320 THS ACTUATOR

REV 2 TOP SHEATH 43/978 REPLACED BY 43/1960

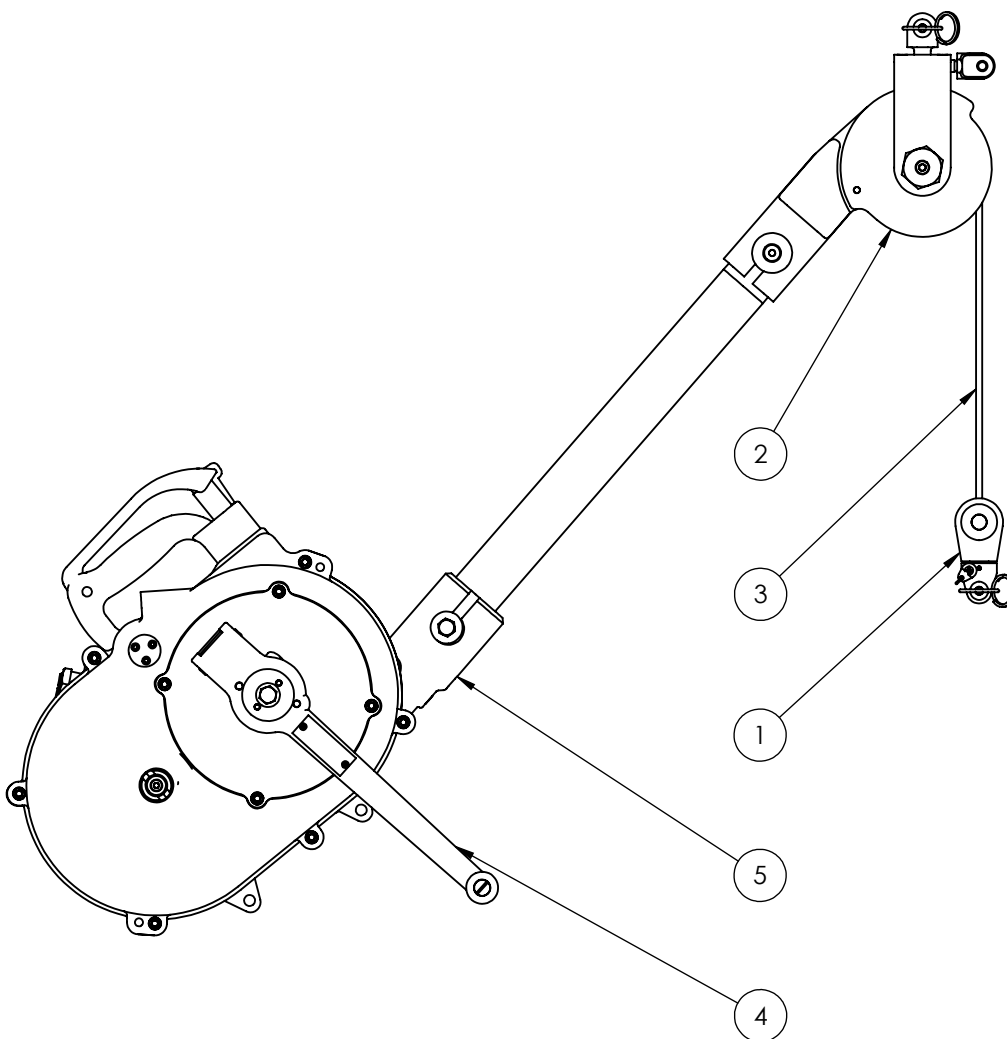


World class lifting and handling solutions

Didsbury Engineering Co Ltd

Telephone: +44 (0)161 486 2200
Facsimile: +44 (0)161 486 2211
Email: sales@didsbury.com
Web: www.didsbury.com

ITEM NO.	PART NO.	DESCRIPTION	QTY.
1	43/874	SHACKLE ASSEMBLY	1
2	43/1960	TOP SHEATH	1
3	91/8T5	CABLE ASSEMBLY (FOR REFERENCE ONLY)	1
4	91/84	WINDING HANDLE	1
5	91/263	91/16 WINDING MECHANISM WITH FIXED TUBE	1



HEIGHT OF LIFT: 9300mm
SWL: 500kg
WEIGHT: 28 kG

DRAWN: ADB DATE: 7/01/15 REV. 2