

AIRCRAFT APPLICATION SHEET

91/639 LIFT BEAM

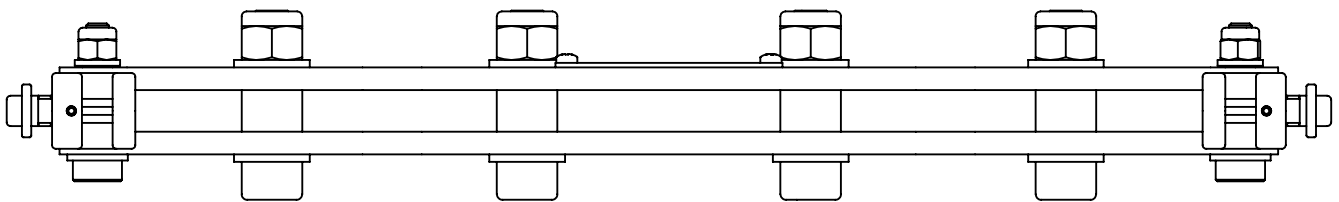
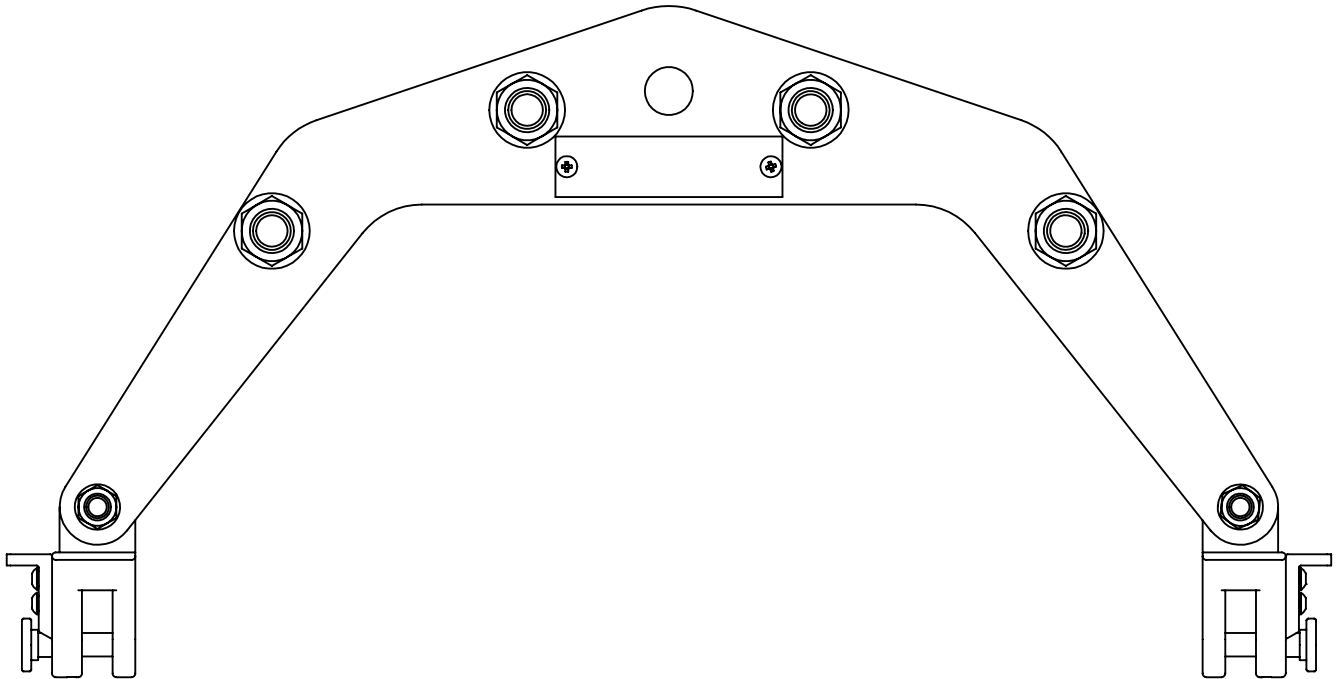
didsbury

World class lifting and handling solutions

A350 APU LIFT BEAM TO BE USED WITH
91/640 HOIST KIT

Didsbury Engineering Co Ltd

Telephone: +44 (0)161 486 2200
Facsimile: +44 (0)161 486 2211
Email: sales@didsbury.com
Web: www.didsbury.com



HEIGHT OF LIFT: SEE 91/640

SWL: 500kg

WEIGHT: 1.42kg

REVISION. 1

DATE: 10/04/2019