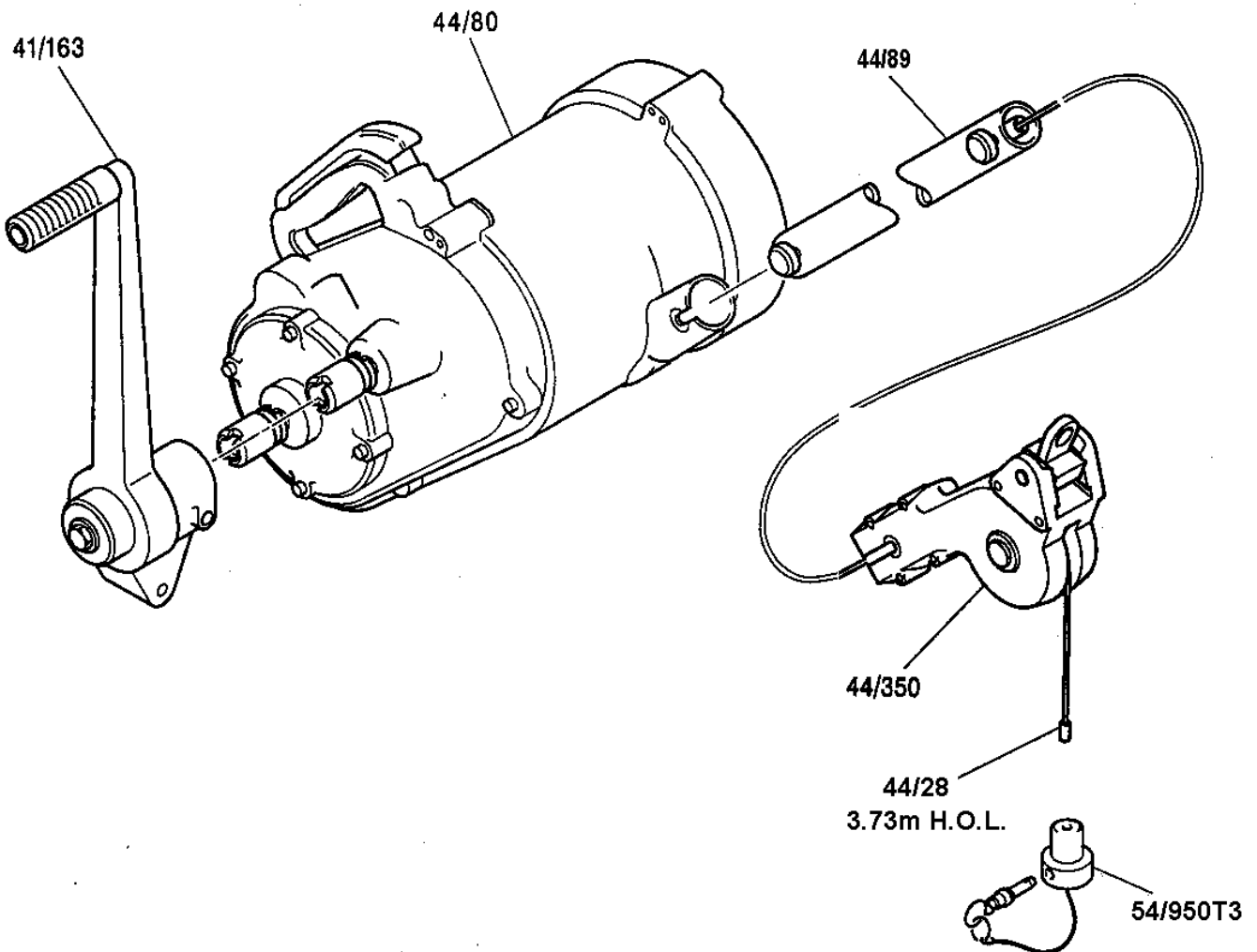


AIRCRAFT APPLICATION SHEET 066 HOIST KIT A1/44/372 FOR A300/A310 NLG REMOVAL / INSTALLATION

comprising:

- 1 x 44/80 Winding Mechanism 1270 kg SWL
- 1 x 41/163 Winding Handle 230 mm
- 1 x 44/89 Extension Tube 914 mm
- 1 x 54/950T3 Cable Anchorage Assembly
- 1 x 44/350 Top Sheath
- 1 x 44/28 Cable



1270kg SWL