

# AIRCRAFT APPLICATION SHEET

## 92/345 HOIST KIT

### EMBRAER 170/175/190/195 APU HOIST KIT

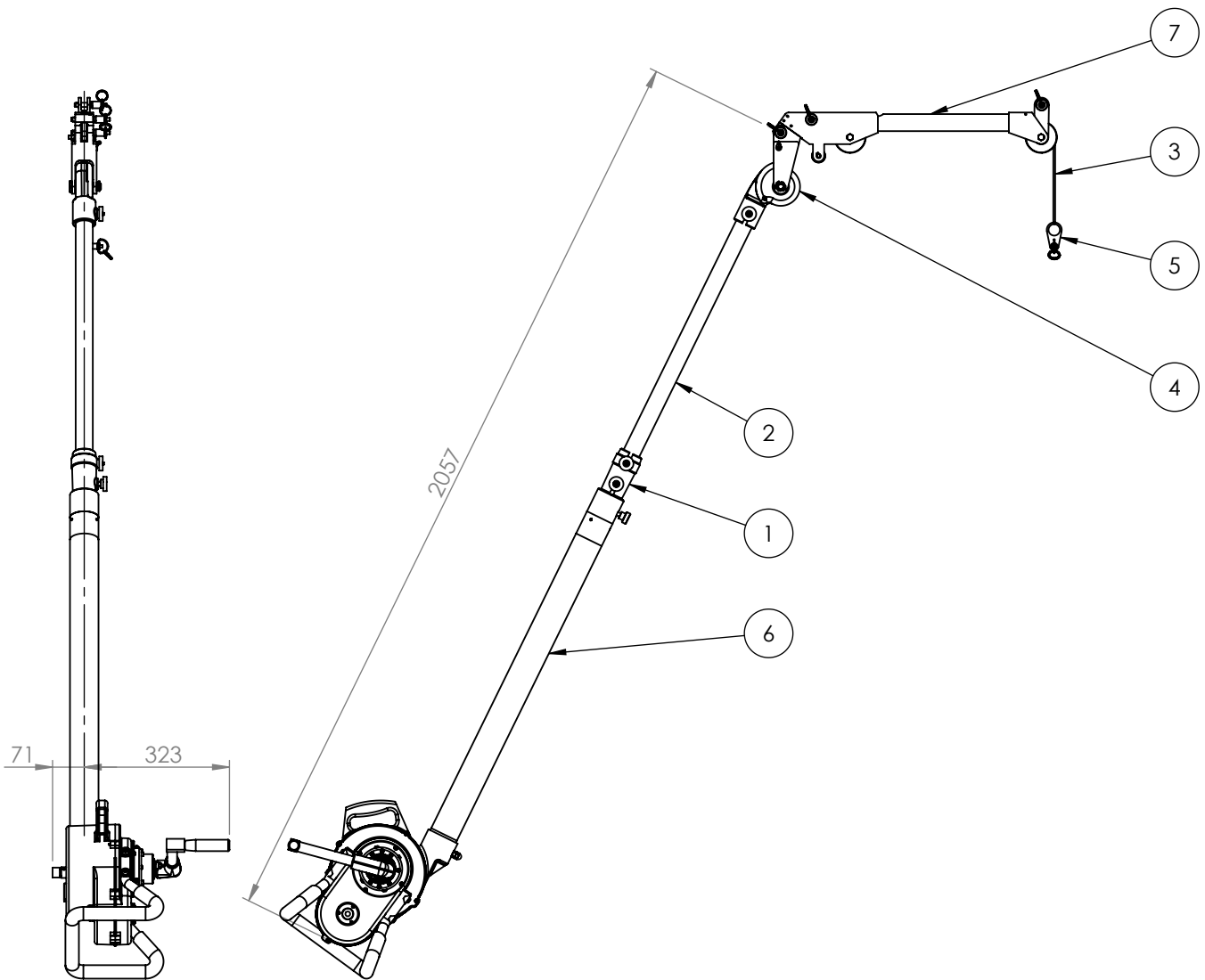


World class lifting and handling solutions

**Didsbury Engineering Co Ltd**

Telephone: +44 (0)161 486 2200  
 Facsimile: +44 (0)161 486 2211  
 Email: sales@didsbury.com  
 Web: www.didsbury.com

ITEM NO.	PART No.	DESCRIPTION	QTY.
1	41/110	TUBE COUPLING	1
2	41/452	670mm EXTENSION TUBE	1
3	42/20	CABLE ASSEMBLY (FOR REFERENCE ONLY)	1
4	42/654	TOP SHEATH ASSEMBLY	1
5	42/659	SHACKLE - 254kg	1
6	92-340	250kg WINDING MECHANISM C/W 940mm FIXED TUBE	1
7	AGE-01148-401	BAR - APU HOISTING - NOT SUPPLIED WITH KIT	1



SWL: 254kg  
 HEIGHT OF LIFT 4.50m  
 WEIGHT 15kg