

AIRCRAFT APPLICATION SHEET

42/835 HOIST KIT

SUKHOI SUPERJET 100 APU
 APU TYPE TA18-100

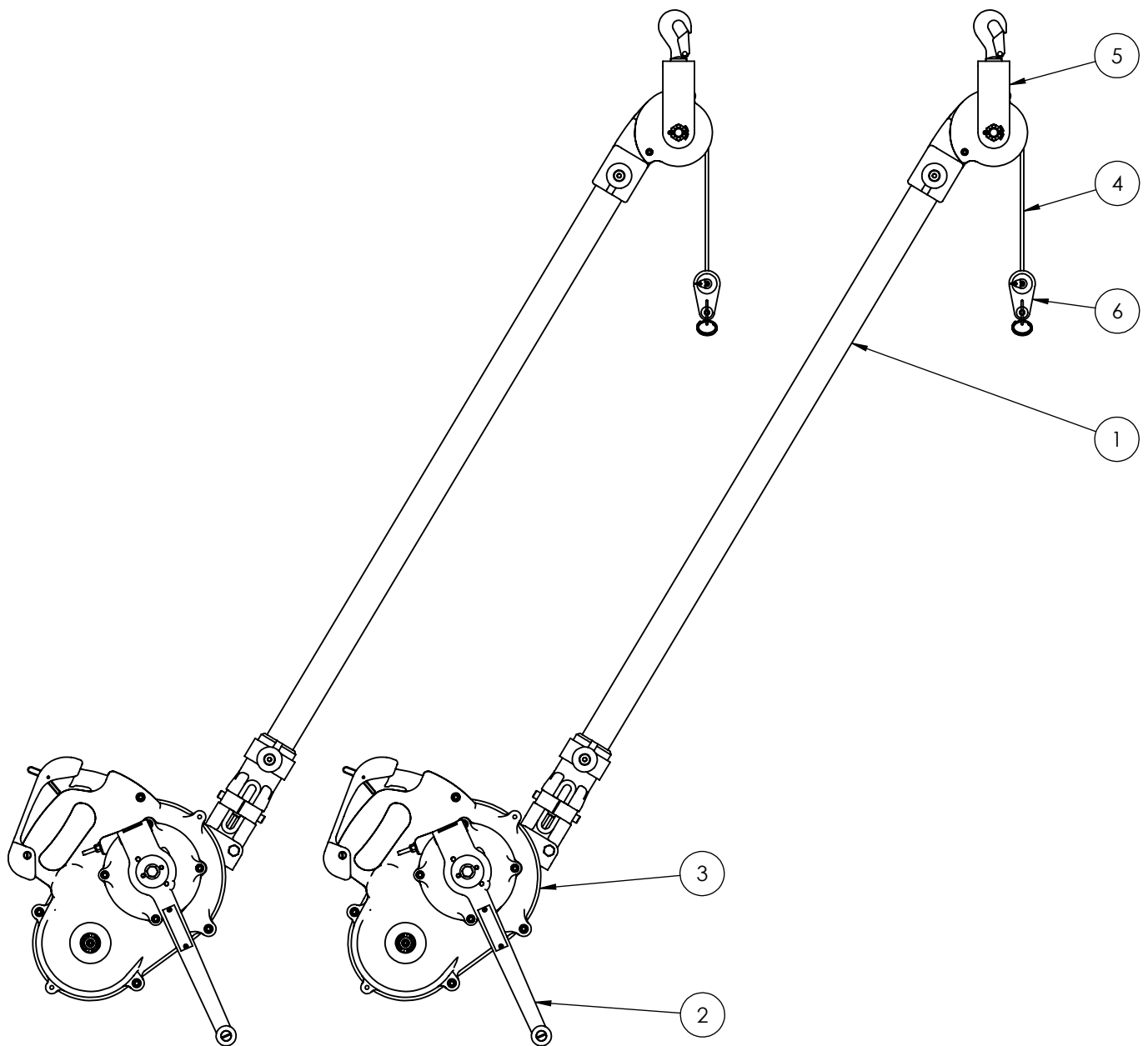


World class lifting and handling solutions

Didsbury Engineering Co Ltd

Telephone: +44 (0)161 486 2200
 Facsimile: +44 (0)161 486 2211
 Email: sales@didsbury.com
 Web: www.didsbury.com

ITEM NO.	PART No.	DESCRIPTION	QTY.
1	41/101	914mm EXTENSION TUBE	2
2	41/163	9" WINDING HANDLE	2
3	42/1	254kg WINDING MECHANISM	2
4	42/20	Ø 4mm CABLE ASSEMBLY (FOR REFERENCE ONLY)	2
5	42/560	TOP SHEATH - HOOK MOUNTED	2
6	91/53	SHACKLE	2
7	99/113	TRANSPORTATION BOX (OPTIONAL)	1



HEIGHT OF LIFT: 6385mm
 SWL: 254kg PER HOIST
 WEIGHT: 16kg PER HOIST

REVISION. 1
 DATE: 05/08/2019