

AIRCRAFT APPLICATION SHEET FOR: 100/89



World class lifting and handling solutions

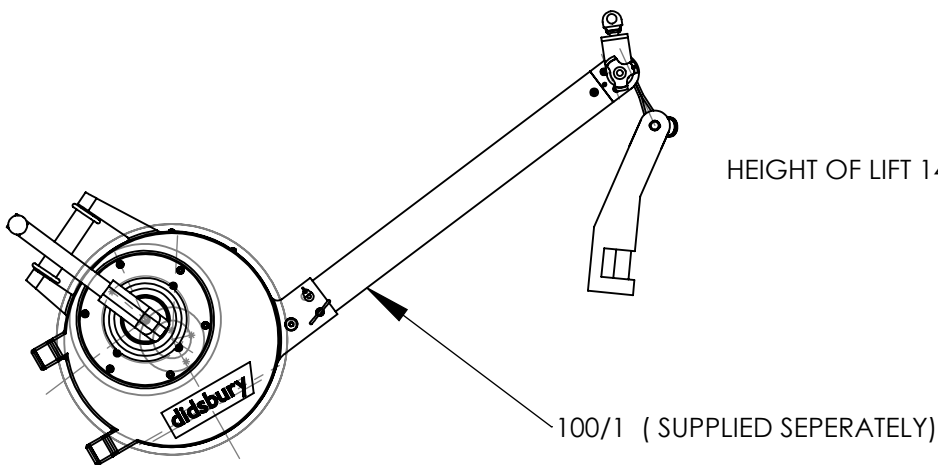
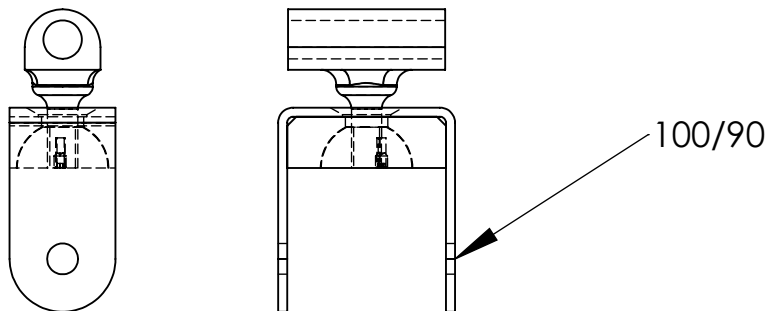
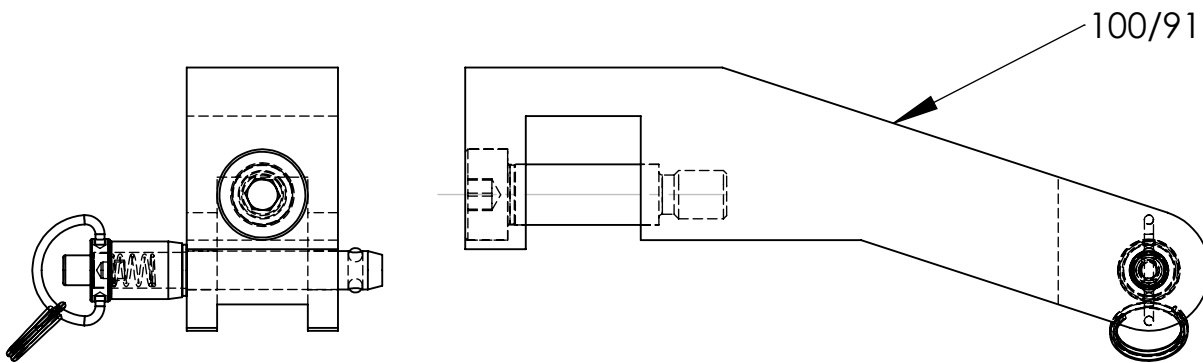
Didsbury Engineering Co Ltd

Telephone: +44 (0)161 486 2200
Facsimile: +44 (0)161 486 2211
Email: sales@didsbury.com
Web: www.didsbury.com

Description A380 BLG ACTUATOR ADAPTOR KIT
(FOR USE ON 98L32101001)

ITEM NO.	PART NUMBER	DESCRIPTION	QTY.
1	100/90	TOP SHEATH STRAP	1
2	100-91	ATTACHMENT LUG	1

100/89 KIT CONTENTS TO BE USED IN CONJUNCTION WITH TAPE HOIST 100/1 SUPPLIED SEPERATELY



SWL: 100 Kg
WEIGHT: 10Kg (WITH 100/1 HOIST)