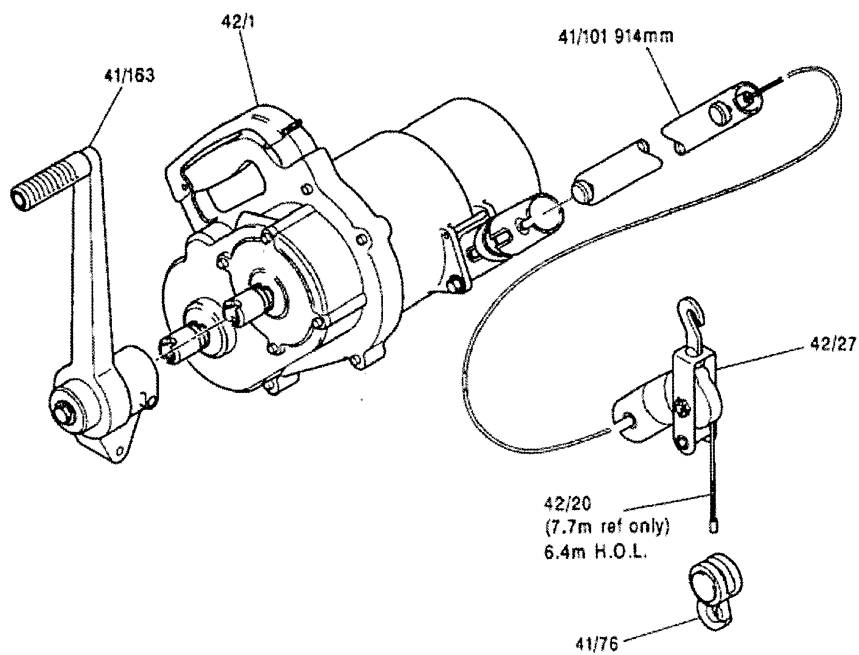


AIRCRAFT APPLICATION SHEET 196 AIRBUS A330/A340 MLG ACTUATOR (A1/42/468) comprising:

| | |
|------------|-----------------------------|
| 1 x 42/1 | Winding Mechanism 250kg SWL |
| 1 x 41/163 | Winding Handle 230mm |
| 1 x 41/101 | Extension Tube 914mm |
| 1 x 42/27 | Top Sheath |
| 1 x 42/20 | Cable |
| 1 x 41/76 | Detachable Hook |



250kg SWL