

# AIRCRAFT APPLICATION SHEET FOR: 100/114 A400M LIGHTWEIGHT COMPOSITE KIT - ISS 1



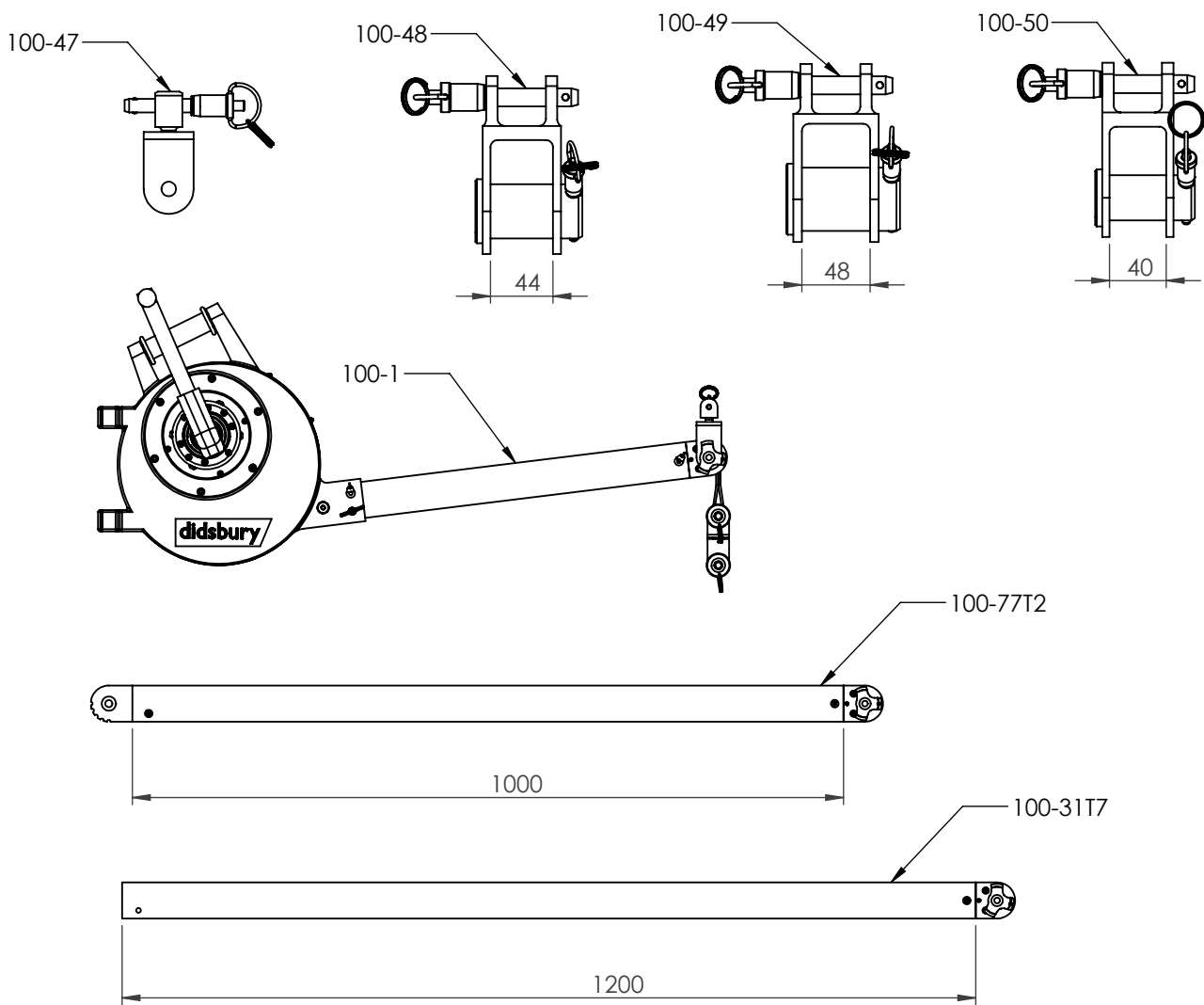
World class lifting and handling solutions

**Didsbury Engineering Co Ltd**

Telephone: +44 (0)161 486 2200  
 Facsimile: +44 (0)161 486 2211  
 Email: sales@didsbury.com  
 Web: www.didsbury.com

- A400M R/I ACTUATOR
- A400M DEVICE TO STRETCH INNER MOBILE PANEL
- A400M AILERON EHA
- A400M AILERON S/C
- A400M SPOILER 1 EBHA
- A400M SPOILER 2 S/C
- A400M HTP ELEVATOR S/C
- A400M HTP ELEVATOR EHA
- A400M PICK UP TOOL

ITEM NO.	PART No.	DESCRIPTION	QTY.
1	100/1	SINGLE FALL TAPE HOIST ASSEMBLY	2
2	100/31T7	1200mm LONG BASE TUBE ASSEMBLY	1
3	100/47	TOP SHEATH STRAP ASSEMBLY	1
4	100/48	AILERON EHA SHACKLE ASSEMBLY	1
5	100/49	AILERON S/C AND HTP ELEVATOR SC SHACKLE ASSY	1
6	100/50	SPOILER 1 AND 2 AND HTP ELEVATOR EHA SHACKLE ASSY	1
7	100/77T2	1000mm EXTENSION TUBE ASSEMBLY	1



SWL: 100Kg  
 WEIGHT: 10Kg

# AIRCRAFT APPLICATION SHEET FOR: 100/114

## A400M R/I ACTUATOR

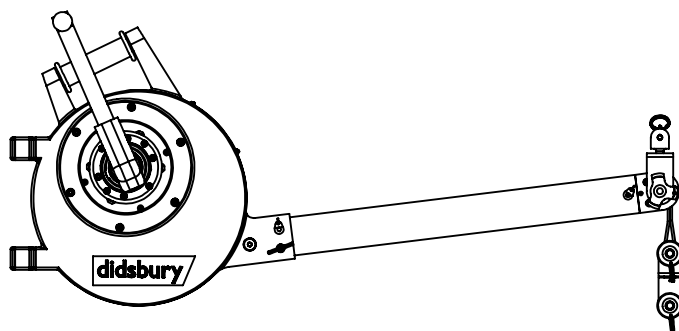


World class lifting and handling solutions

**Didsbury Engineering Co Ltd**

Telephone: +44 (0)161 486 2200  
Facsimile: +44 (0)161 486 2211  
Email: sales@didsbury.com  
Web: www.didsbury.com

ITEM NO.	PART No.	DESCRIPTION	QTY.
1	100/1	SINGLE FALL TAPE HOIST ASSEMBLY	1



SWL: 100Kg

WEIGHT: 10Kg

HEIGHT OF LIFT: 14.2m

SHEET 2 of 9

# AIRCRAFT APPLICATION SHEET FOR: 100/114



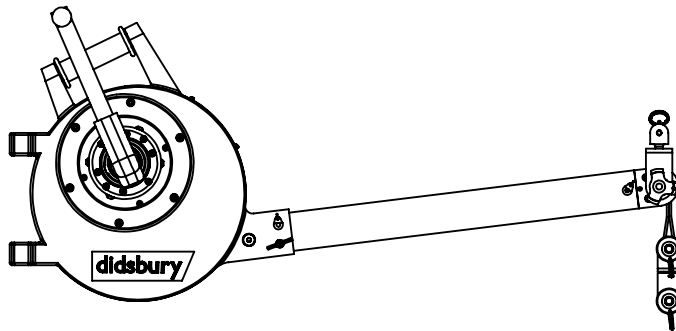
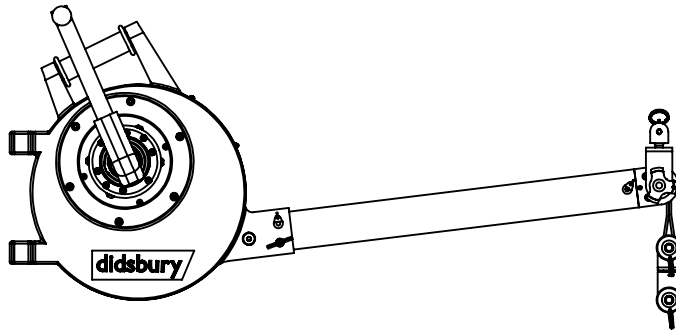
World class lifting and handling solutions

**Didsbury Engineering Co Ltd**

Telephone: +44 (0)161 486 2200  
Facsimile: +44 (0)161 486 2211  
Email: sales@didsbury.com  
Web: www.didsbury.com

## A400M DEVICE TO STRETCH INNER MOBILE PANEL

ITEM NO.	PART No.	DESCRIPTION	QTY.
1	100/1	SINGLE FALL TAPE HOIST ASSEMBLY	2



SWL: 100Kg

WEIGHT: 10Kg

HEIGHT OF LIFT: 14.2m

SHEET 3 of 9

# AIRCRAFT APPLICATION SHEET FOR: 100/114

## A400M AILERON EHA

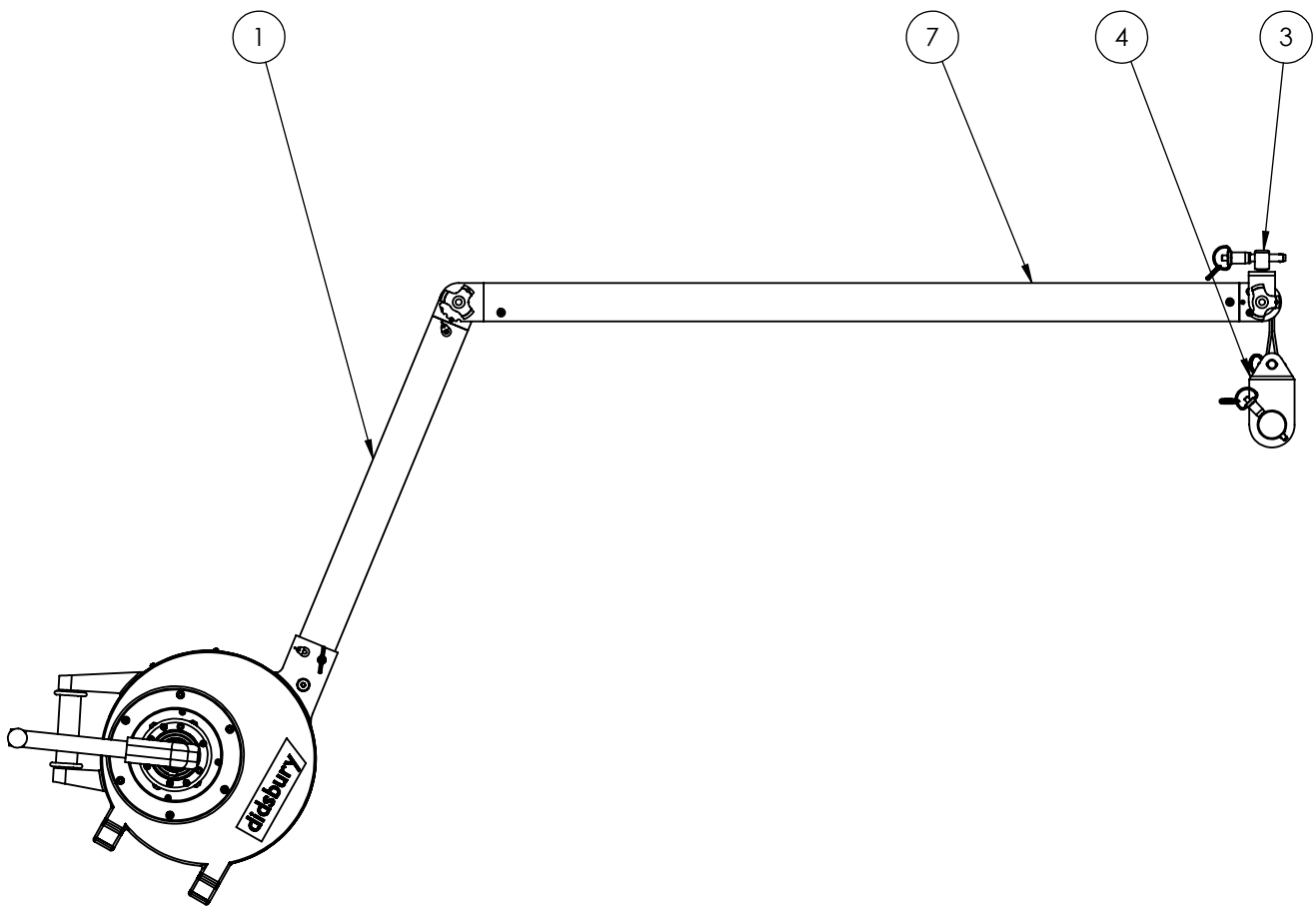


World class lifting and handling solutions

**Didsbury Engineering Co Ltd**

Telephone: +44 (0)161 486 2200  
Facsimile: +44 (0)161 486 2211  
Email: sales@didsbury.com  
Web: www.didsbury.com

ITEM NO.	PART NO.	DESCRIPTION	QTY.
1	100/1	SINGLE FALL TAPE HOIST ASSEMBLY	1
3	100/47	TOP SHEATH STRAP ASSEMBLY	1
4	100/48	AILERON EHA SHACKLE ASSEMBLY	1
7	100/77T2	1000mm EXTENSION TUBE ASSEMBLY	1



### NOTE

REPLACE THE TOP SHEATH AND SHACKLE SUPPLIED WITH 100/1 WITH THE ITEMS SHOWN ABOVE

SWL: 100Kg

WEIGHT: 10Kg

HEIGHT OF LIFT: 13.2m

SHEET 4 of 9

# AIRCRAFT APPLICATION SHEET FOR: 100/114

## A400M AILERON S/C

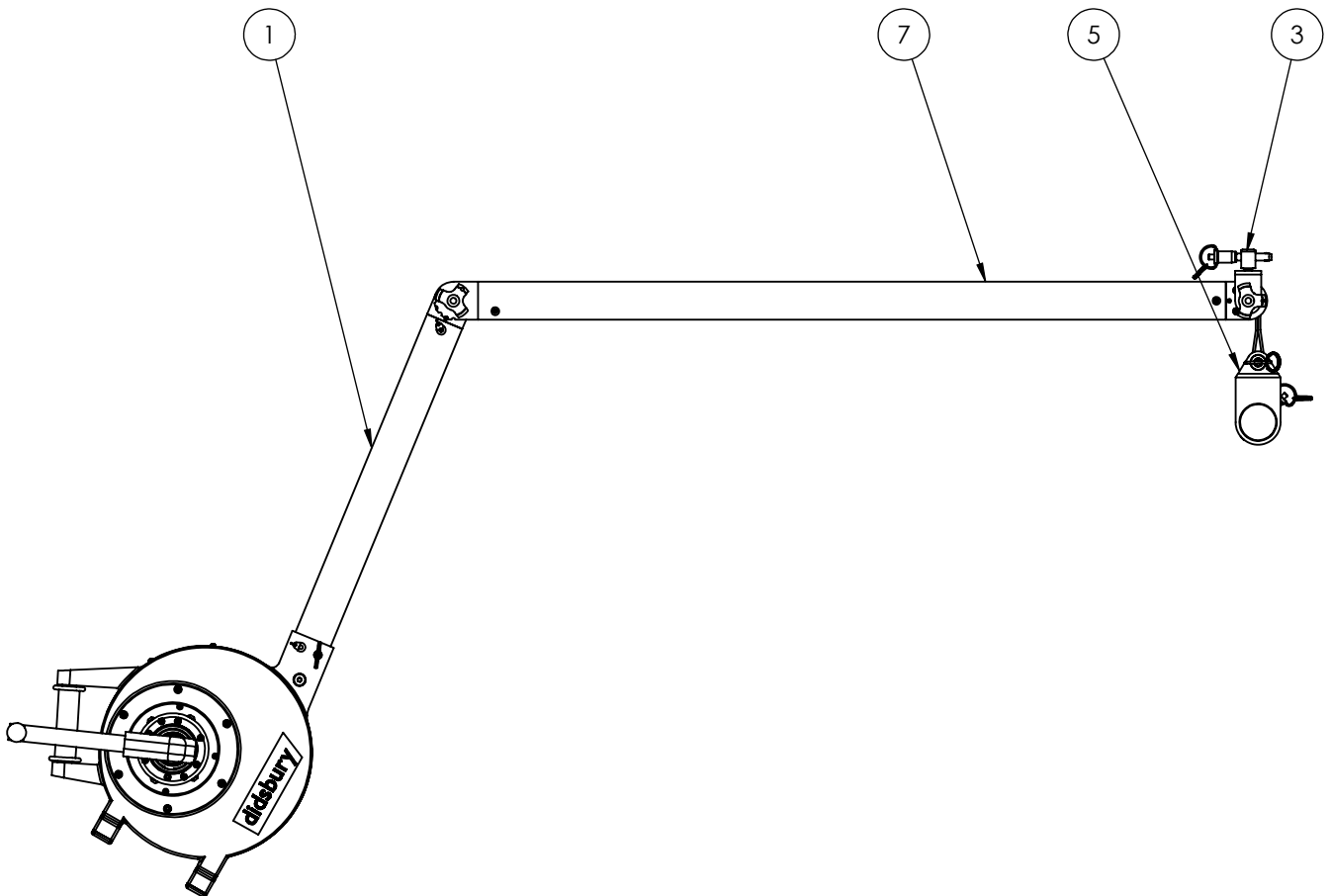


World class lifting and handling solutions

**Didsbury Engineering Co Ltd**

Telephone: +44 (0)161 486 2200  
Facsimile: +44 (0)161 486 2211  
Email: sales@didsbury.com  
Web: www.didsbury.com

ITEM NO.	PART No.	DESCRIPTION	QTY.
1	100/1	SINGLE FALL TAPE HOIST ASSEMBLY	1
3	100/47	TOP SHEATH STRAP ASSEMBLY	1
5	100/49	AILERON S/C AND HTP ELEVATOR SC SHACKLE ASSY	1
7	100/77T2	1000mm EXTENSION TUBE ASSEMBLY	1



### NOTE

REPLACE TOP SHEATH AND SHACKLE SUPPLIED WITH 100/1 WITH THE ITEMS SHOWN ABOVE

SWL: 100Kg

WEIGHT: 10Kg

HEIGHT OF LIFT: 13.2m

SHEET 5 of 9

# AIRCRAFT APPLICATION SHEET FOR: 100/114

A400M SPOILER 1 EBHA

A400M SPOILER 2 S/C

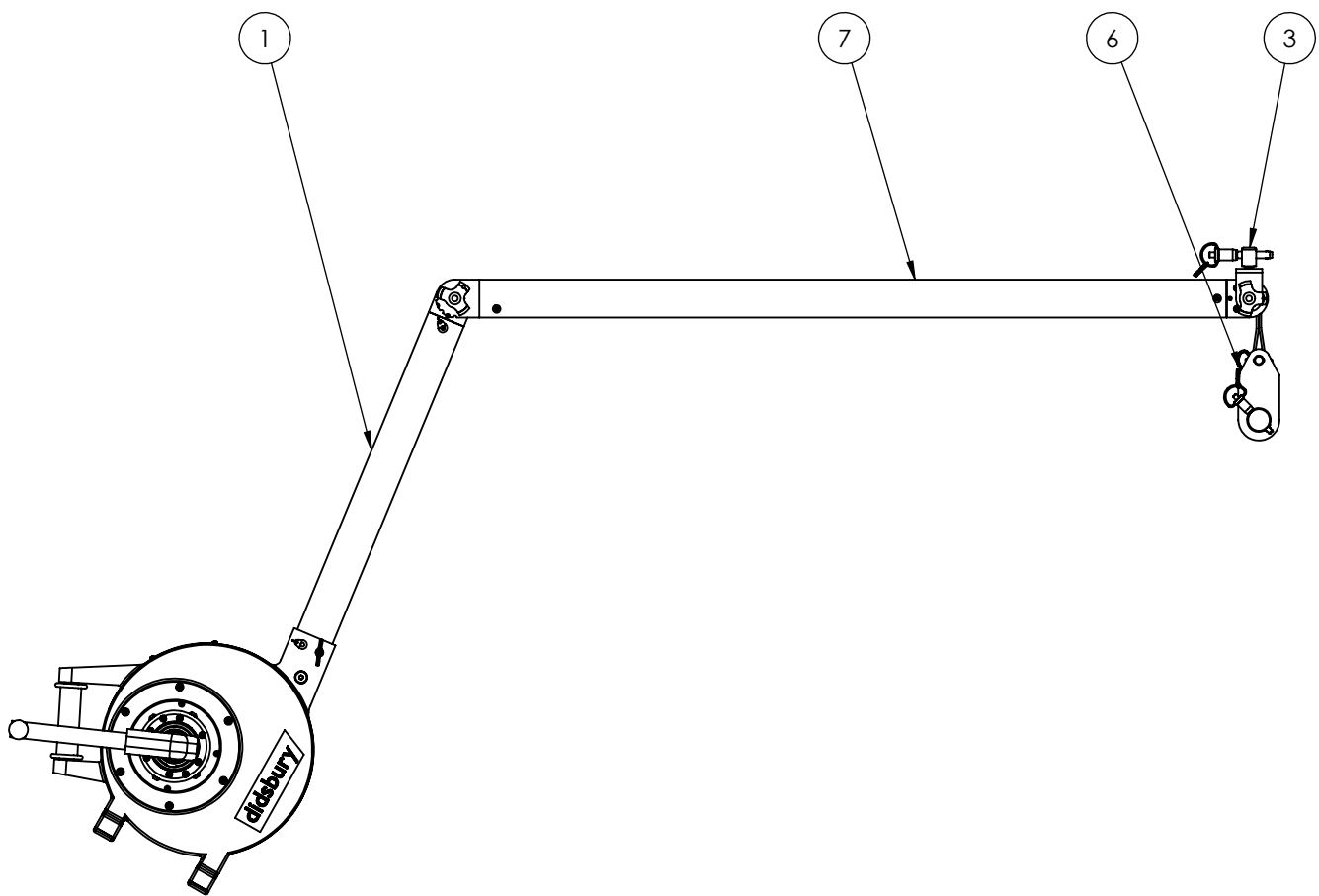


World class lifting and handling solutions

**Didsbury Engineering Co Ltd**

Telephone: +44 (0)161 486 2200  
Facsimile: +44 (0)161 486 2211  
Email: sales@didsbury.com  
Web: www.didsbury.com

ITEM NO.	PART No.	DESCRIPTION	QTY.
1	100/1	SINGLE FALL TAPE HOIST ASSEMBLY	1
3	100/47	TOP SHEATH STRAP ASSEMBLY	1
6	100/50	SPOILER 1 AND 2 AND HTP ELEVATOR EHA SHACKLE ASSY	1
7	100/77T2	1000mm EXTENSION TUBE ASSEMBLY	1



**NOTE**

REPLACE THE TOP SHEATH AND SHACKLE SUPPLIED WITH 100/1 WITH THE ITEMS SHOWN ABOVE

SWL: 100Kg

WEIGHT: 10Kg

HEIGHT OF LIFT: 13.2m

# AIRCRAFT APPLICATION SHEET FOR: 100/114

## A400M HTP ELEVATOR S/C

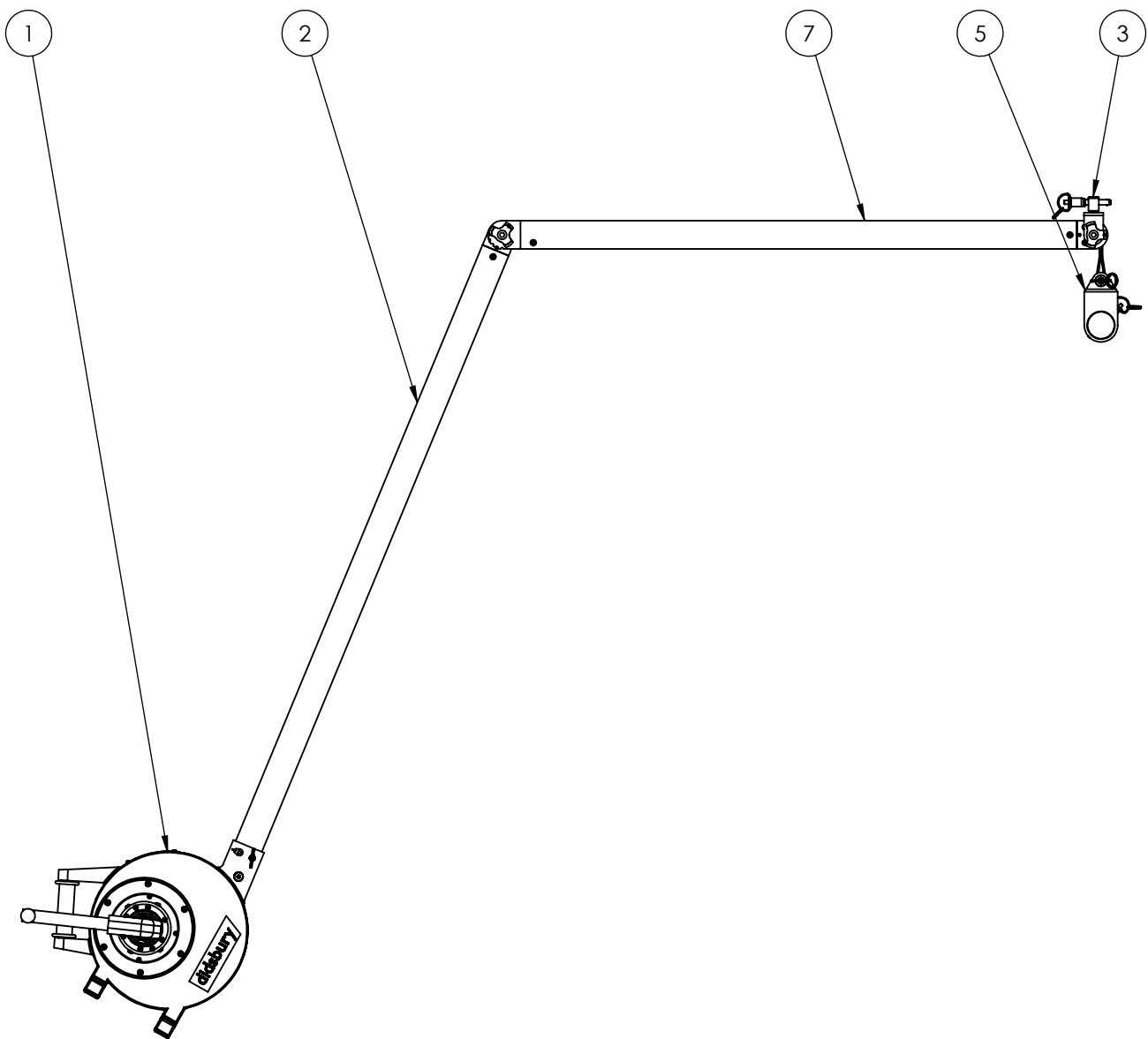


World class lifting and handling solutions

**Didsbury Engineering Co Ltd**

Telephone: +44 (0)161 486 2200  
Facsimile: +44 (0)161 486 2211  
Email: sales@didsbury.com  
Web: www.didsbury.com

ITEM NO.	PART No.	DESCRIPTION	QTY.
1	100/1	SINGLE FALL TAPE HOIST ASSEMBLY	1
2	100/31T7	1200mm LONG BASE TUBE ASSEMBLY	1
3	100/47	TOP SHEATH STRAP ASSEMBLY	1
5	100/49	AILERON S/C AND HTP ELEVATOR SC SHACKLE ASSY	1
7	100/77T2	1000mm EXTENSION TUBE ASSEMBLY	1



### NOTE

REPLACE THE BASE TUBE, TOP SHEATH AND SHACKLE SUPPLIED WITH 100/1 WITH THE ITEMS SHOWN ABOVE

SWL: 100Kg

WEIGHT: 10Kg

HEIGHT OF LIFT: 12.5m

SHEET 7 of 9

# AIRCRAFT APPLICATION SHEET FOR: 100/114

## A400M HTP ELEVATOR EHA

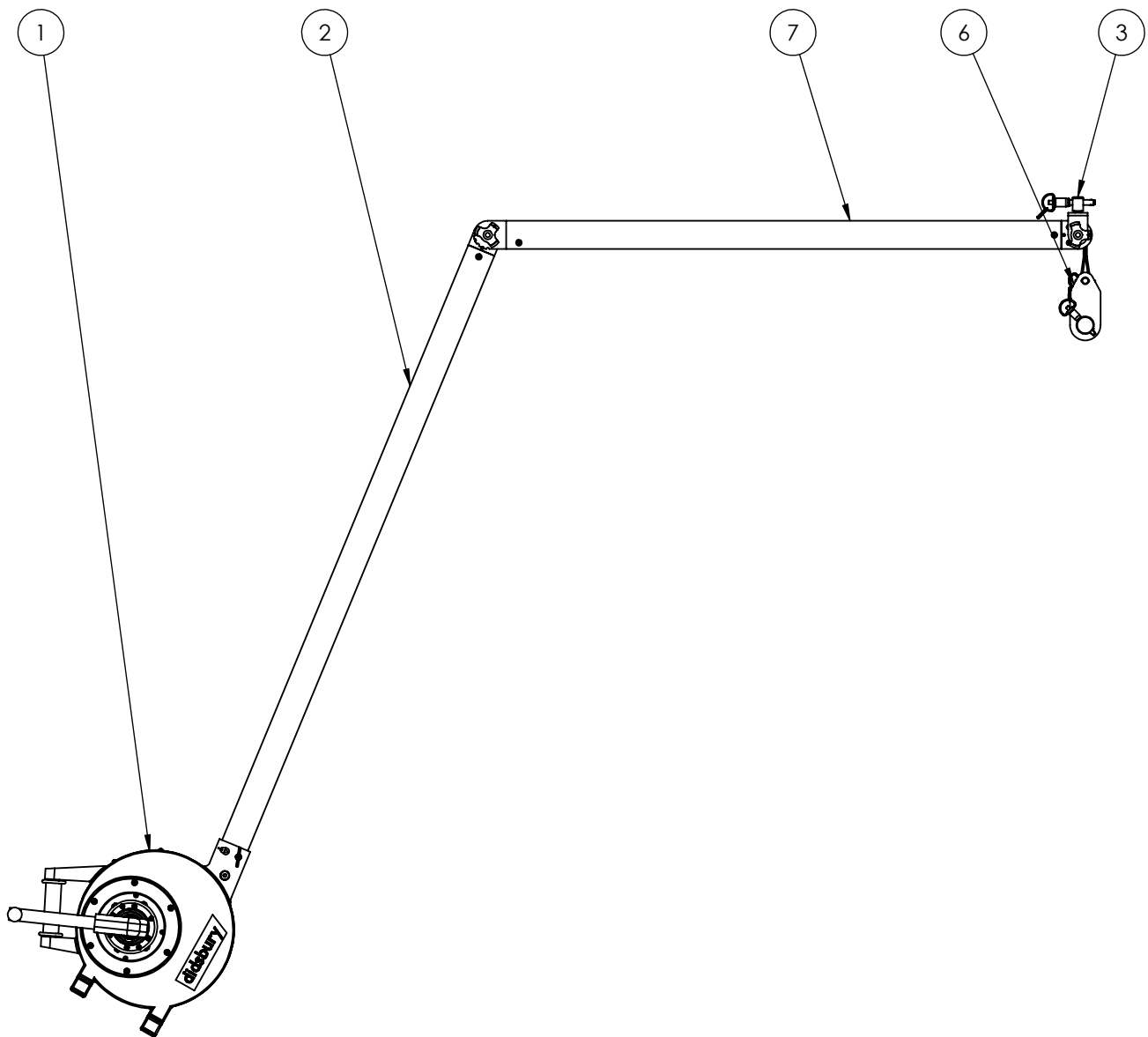


World class lifting and handling solutions

**Didsbury Engineering Co Ltd**

Telephone: +44 (0)161 486 2200  
Facsimile: +44 (0)161 486 2211  
Email: sales@didsbury.com  
Web: www.didsbury.com

ITEM NO.	PART No.	DESCRIPTION	QTY.
1	100/1	SINGLE FALL TAPE HOIST ASSEMBLY	1
2	100/31T7	1200mm LONG BASE TUBE ASSEMBLY	1
3	100/47	TOP SHEATH STRAP ASSEMBLY	1
6	100/50	SPOILER 1 AND 2 AND HTP ELEVATOR EHA SHACKLE ASSY	1
7	100/77T2	1000mm EXTENSION TUBE ASSEMBLY	1



### NOTE

REPLACE THE BASE TUBE, TOP SHEATH AND SHACKLE SUPPLIED WITH 100/1 WITH THE ITEMS SHOWN ABOVE

SWL: 100Kg

WEIGHT: 10Kg

HEIGHT OF LIFT: 12.5m

SHEET 8 of 9



# AIRCRAFT APPLICATION SHEET FOR: 100/114

## A400M PICK UP TOOL

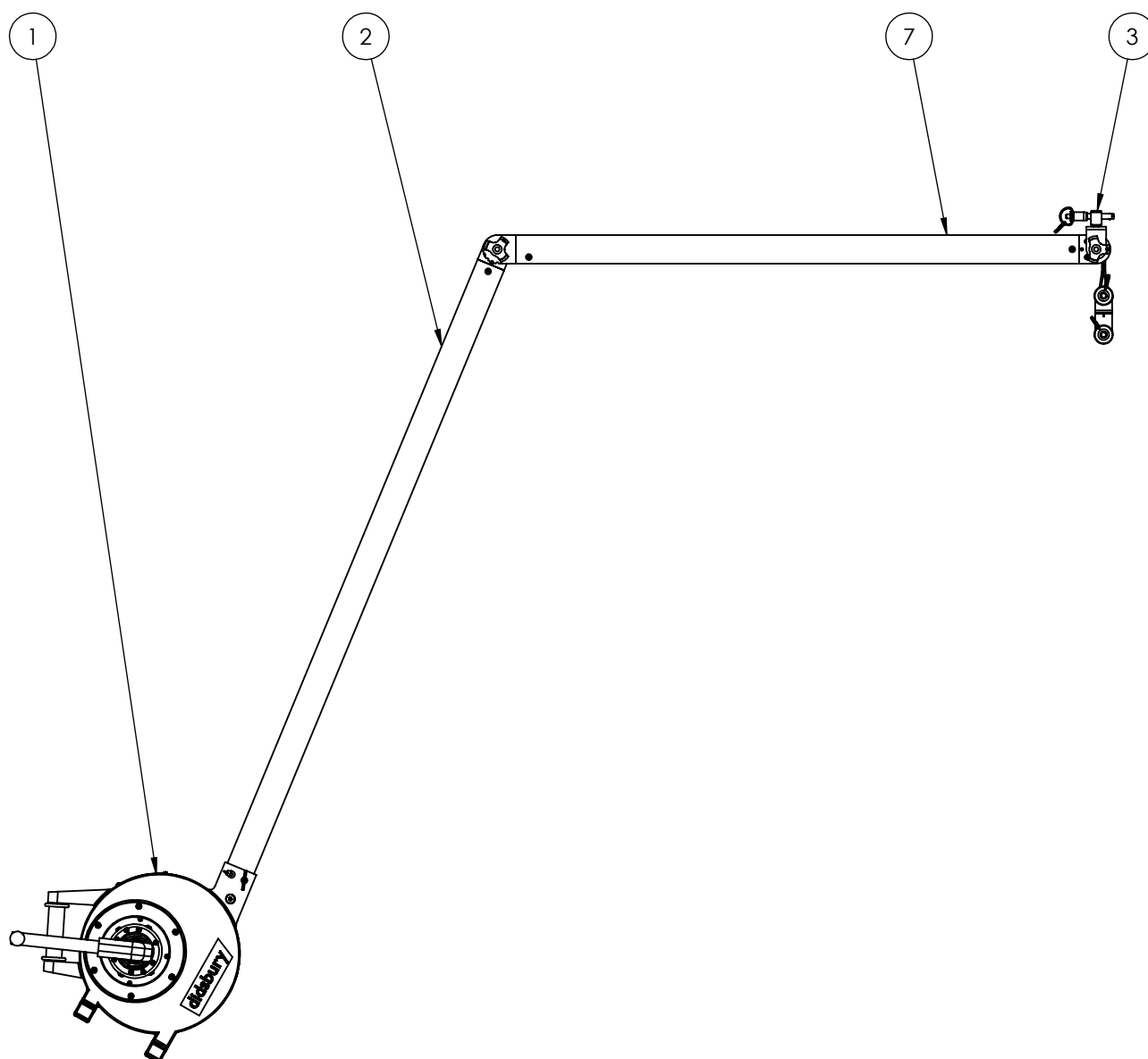


World class lifting and handling solutions

**Didsbury Engineering Co Ltd**

Telephone: +44 (0)161 486 2200  
Facsimile: +44 (0)161 486 2211  
Email: sales@didsbury.com  
Web: www.didsbury.com

ITEM NO.	PART No.	DESCRIPTION	QTY.
1	100/1	SINGLE FALL TAPE HOIST ASSEMBLY	1
2	100/31T7	1200mm LONG BASE TUBE ASSEMBLY	1
3	100/47	TOP SHEATH STRAP ASSEMBLY	1
7	100/77T2	1000mm EXTENSION TUBE ASSEMBLY	1



### NOTE

REPLACE THE BASE TUBE AND TOP SHEATH SUPPLIED WITH 100/1 WITH THE ITEMS SHOWN ABOVE

SWL: 100Kg

WEIGHT: 10Kg

HEIGHT OF LIFT: 12.5m

SHEET 9 of 9